

# The Journal of Borderland Research

## TABLE OF CONTENTS

THE PETER AND FRANCES UFO CONTACT  
From the Dickeson's "Xenolog" . . . . . 1 - 9

PROJECT HERMES, A MECHANICAL AID TO  
TELEPATHY, by William F. Zwirn and  
the Editor. . . . . 10 - 20

CLIPS, QUOTES & COMMENTS  
A Borderland Researcher Reports on the  
Phoenix Radioclast and UKACO, What Is Your  
Intention?, Respect For the Sanctity Of  
All Life, What Says H.P. Blavatsky, What  
Says Iamblichus?, The Martyrdom Of Dr.  
Leonard Chapman, An Aquarian Ager In the  
Philippines Looks At Psychic Surgery, The  
Radio-Vision Instrument Diagram, The Drown  
Homo-Vibro Ray, More Wanted On Polarity,  
Less Wanted On Polarity, "Honor Thy Father  
and Mother", Highly Recondite Secrets Of  
the Mysteries, Now She Knows the Meaning  
Of the Word Crucifixion!, Prophecy Corner,  
With Extreme Prejudice, What Says Pluto  
In Libra?, But The Zodiacal Sign Libra  
Gives Hope, A New Future In This Bicen-  
tennial Year, BSRF Literature . . . 21 - 36

## THE JOURNAL OF BORDERLAND RESEARCH

BSRF No. 1 Published by Borderland Sciences Research Foundation, Inc., PO Box 548, Vista, California 92083 USA. Edited by the Director, Riley Hansard Crabb, Doctor of Metaphysics in the Society of St. Luke the Physician.

The Journal is published six issues a year with the assistance of the Associates, at the Director's home, 1103 Bobolink Drive, Vista. It is printed, 36 pages an issue. The Foundation was incorporated under California law, May 21, 1951, #254263, and has been in continuous existence since then. Address all correspondence to the PO Box. The Journal is included in the Foundation membership of \$7.50 a year. Single copies and back issues of the Journal are now \$1.50 each. If you don't care to join you may receive the Journal by donating \$7.50 a year or more to the Foundation. The Director's wife, Ms. Judith Crabb, is office manager and Secretary-Treasurer.

**PURPOSES OF BSRF:** This is a non-profit organization of people who take an active interest in unusual happenings along the borderland between the visible and invisible worlds. In the words of the late Meade Layne, founder and director of BSRA from 1946 to 1959: "BSRA publications are scientific in approach but employ few technical expressions. They deal with significant phenomena which orthodox science cannot or will not investigate. For example: The Fortean falls of objects from the sky. Teleportation, Radiesthesia, PK effects, Underground Races, Mysterious Disappearances, Occult and Psychic Phenomena, Photography of the Invisible, Nature of the Ethers and the problem of the Aeroforms (Flying Saucers). In the year 1946 BSRA obtained an interpretation of the phenomena which since has come to be known as the Etheric or 4-D interpretation, and which has not been radically altered since that time. This continues to be the only explanation which makes good science, sound metaphysics and common sense."

The chief present concern of the Foundation is to make this kind of unusual information available as a public service at reasonable cost. Headquarters acts as a receiving, coordinating and distributing center. An important part of the Director's work is to give recognition, understanding and encouragement to people who are having unusual experiences of the borderland type and/or are conducting research in any of the above fields. For consultation on borderland problems or for Spiritual healing through prayer, write or phone 714-724-2043 for help or for an appointment. Donations and bequests toward Foundation research programs and expenses are welcome.

The 28-page list of BSRF publications is available from Headquarters for 50¢ in check, coins or stamps. This includes brochures on borderland subjects, tape recordings of Mr. Crabb's lectures and of members of the Inner Circle, talking through trance-medium Mark Probert. Write to BSRF, PO Box 548, Vista, California 92083 USA.

## THE PETER AND FRANCES UFO CONTACT STORY

From the Nov-Dec 1975 "Xenolog", No.101  
Published by Fred and Phyllis Dickeson,  
33 Dee St., Timaru, New Zealand

One of the more interesting of the current contactee stories is in a tape recording received last year by the Dickesons from one of their South Africa associates, Dr. Carl Van Vlierden. The contactees, simply called Peter and Frances on the tape, were driving toward Cape Town when they were aware of UFOs overhead. Then their car was picked up and transported cross country at a considerable saving of time and distance. This was proven to a sceptical Peter when -- back on the highway again after a confusing and rather frightening experience -- he made his normal stop for gas and found that the fuel tank needed none! Later, under hypnotic regression, a Dr. Paul Obertic took Peter back down the time track and obtained this information.

Doc: You were travelling 12 miles from Fort Victoria, what happened then?

Pete: We were 12 kilometers outside Fort Victoria when we saw two objects, two craft together. One was 85° off the upright the other was 90° directly above, about 200-300 yards, straight up. It sent down a beam of light, beams of some description -- I dont know what type they were -- into the motor car, which gave the car a complete mind of its own, its own sense of power, direction, speed control, steering ability, lighting, everything, even at one stage the car was telling me, what to do, how to do it -- smoke a cigarette, light the lighter, change the radio to another station. This was when we heard voices on the radio, sounded like Lourenco Marques broadcasting, sounded like music but it wasn't. It was direct radio signals, from the directly-above space craft to the radio which was sending impulses to the car, to the cab and me.

I tried to fight it, the whole journey. A simulated screen was put in front of the windscreen, the side windows and the back windows of the car. We travelled along the whole journey completely off the tar, off the road. We did not travel on the road at all. We went in a dead straight line from Fort Victoria to 3 kilometers outside Beit-bridge where we touched the road again, and both objects were two to three miles directly above. Again, one at 80° to the car the other directly above. This is very briefly what happened. More details -- more details --

Doc: Relax, Peter. You can remember what you want to say, say so. What about more details, Peter?

Pete: We were programmed inside the motor car. My wife fell asleep or was put to sleep by the radio which were the voices, and so she cant remember very much of what happened inside the car. Another form was beamed straight to the back seat of the car and sat there the entire journey, and told me I would see what I wanted to see, in and around and at itself, and only see what I wanted to see. If I wanted "it" to look like a duck, "it" looked like a duck. If I wanted "it" to look like a monster, then "it" looked like a monster. I dont know what they did because I just dont know. I have to try and remember because I must.

They took seven seconds to find out that I had communicated with the past while I have control over my mind to be able to give myself post-hypnotic suggestions. They tried to erase this so that I would not be able to be hypnotised and tell what happened inside the motor car. I just cant remember. They are very, very clever. I never went up into their machine but I could see through the beams what went on inside, and what it looked like.

Doc: How did it look, Peter? Tell me.

Pete: It had three levels, bottom level was the power unit. Second level, engineering wing, rest centre, communications, living quarters. Top level, cockpit, flight deck, inter-astral control centre. The whole was linked by two vacuum shafts. One placed one's self inside a tube. Transportation to the interior of the craft was by vacuum.

It was about 80 to 90 feet across, approximately 60 feet high. Bottom thrust was by horizontal plane, from the outer edge. Up and down thrust, direct up; thrust direct down. They had a stabiliser unit to simulate earth conditions, in their laboratory. This was for any humans which were taken up. They could then be put into this unit which would simulate their surroundings completely. This is just an anti-space; but using man's ability or lack of knowledge, they could suggest what he wanted to see and where he was.

Doc: How do they look like, Peter, in fact?

Pete: They looked like I wanted them to look. He looked like a duck and he looked like a monster.

Doc: Have they any real forms? Are they physical beings?

Pete: Physical. They are physical beings.

Doc: Have they got a steady form?

Pete: The same basic forms as humans, with large chests, necks, hairless, two arms, two legs, no toes.

Doc: Do they have reproductive organs at all?

Pete: They have no reproductive organs at all.

Doc: How do they multiply?

Pete: I dont know.

Doc: Where do they come from?

Pete: Outer Galaxies. (Confusion of terms here for later/identifies their point of origin from within our Milky Way Galaxy, from a constellation, not a spiral nebula.)

Doc: Which outer Galaxies?

Pete: They didn't give any names, just outer Galaxies.

Doc: Are they friendly towards earthlings?

Pete: Yes.

Doc: Why dont they make direct contact with us? If they have got such great powers?

Pete: Because there are too many people who do not understand them, who dont know how to approach them, look at them, see them, talk to them.

#### THE PRIME DIRECTIVE AGAIN, NO INTERFERENCE

Doc: Cant they make people understand?

Pete: No. Because that would change the world and they dont want to do that.

Doc: Do they believe in God?

Pete: They are gods.

Doc: Do they believe in immortality?

Pete: They are extremely advanced.

Doc: Are they immortal?

Pete: No.

Doc: Are they mortals, do they die, Peter?

Pete: Yes.

Doc: How long in our earth-years do they live?

Pete: I dont know.

Doc: How fast can they travel? Can they travel faster than the speed of light?

Pete: They travel by time, not by light.

Doc: What do you mean by that?

Pete: They can travel on time. Speed of light is too slow to cover the billions of miles in seconds. If they want to go from point "A", to point "B", they have to go back in time, to get to the Earth. So they sent themselves back into time. They are Time Travellers, not space travellers.

Doc: How do they talk, do they communicate mentally?

Pete: They know the English language perfectly. They know every language of the Galaxy.

Doc: Have they got the knowledge of all the universe?

Pete: They have got the knowledge of all the Universe. But we and our Galaxy are the size of a pin-head, cut a billion times.

Doc: What world to they come from?

Pete: They come from 12 planets in the Milky Way (galaxy). They dont fight. They have no wars because they are 2000 years ahead. They are 200 light years ahead of us.

Doc: What do they say about Earth? Is it going to be peaceful here? Are we going to survive?

Pete: They will change the Earth the way they changed the pyramids. They changed the wars. They change everything by introducing their way of doing things.

### THEY ARE AMONG US!

Doc: How are they going to do it?

Pete: I dont know.

Doc: Are there any of them amongst us, unnoticed, having our thoughts of human beings?

Pete: Thousands

Doc: Are they amongst us?

Pete: They are clerks, typists, business men, university students, lecturers, dustbin cleaners.

Doc: If we want to make contact with them, if we want to learn from them do they give us knowledge?

Pete: They make contact only when they want to and by influencing others. They never do anything direct, on Earth, to make them the figurehead or make them to be put in the centre of attraction. They are the influencers, the schemers, the directors of a person who would do it and be given the credit. From which praise -- humans survive on praise -- and they give this to humans; and he is praised and found a very good person, no matter what he is.

Doc: Peter, tell me, were you programmed by them?

Pete: Yes.

Doc: They do not mind you talking to other people?

Pete: No. They want to get a circle of their believers in them and their works, around to people, so people will understand them.

(This view coincides with our understanding of the role of the Guardians, put forward by our Founder-Director Meade Layne in his book "The Coming of the Guardians" in 1953. \$3.00 a copy.)

TIME IS ENERGY!

Doc: What energy to they use for travelling, for their machines?

Pete: Time.

(Obviously, the significance of Peter's reply escaped Dr. Obertic completely.)

Doc: What do they operate on? What fuel? Whatever it is they use?

Pete: I dont know.

Doc: Peter, do they believe in immortality, in reincarnation, that we earthlings leave our bodies and our spirits, our inner selves?

Pete: It is all programmed by them. They are God in man's eyes; they put one into another body and they will put that body on Earth. They cant do it automatically. The being has to be spermed, carried, schooled, lived. But all of us are programmed, like you program anything. It is just set out.

Doc: Peter, if we do not want to be influenced by them do they act against our will?

Pete: No.

Doc: And if you want help from them do they give us help, if we wanted sincerely, and asked for it?

Pete: No. You must pray to God.

Doc: But you said they do not believe in God!

Pete: They are God -- in man's eyes. Because man has to look up at something. Man has to clutch at straws for his own survival.

Doc: Are there not any laws which control them? Laws which are above them?

Pete: They have got laws we haven't heard yet.

Doc: I mean, are there any powers above them?

Pete: They appreciate this point: as we are 2000 light years behind them, they are 2000 light years behind some other beings.

Doc: Is there any Universal Mind, Infinite Intelligence, Power of the Universe which can move them?

Pete: No. It is all separate. Individual units, like the 12 Galaxies, like our Sun, like our Earth.

Doc: Tell me, what about the great masters of Earth, yogis who have got great abilities, great masters indeed. They claim contact with God. They claim that God is Universal. The Power everywhere. It means that it is the Power above them?

Pete: This just proves the point, that they are, God.

Doc: Do you really think that they are God?

Pete: They make their god for us.

Doc: Yet they say they are mortal! Are they mortal, or are they immortal?

Pete: They are mortal.

Doc: What happens if they die?

Pete: They burn.

Doc: They what?

Pete: They burn. They are stroned, cast out.

Doc: What about their spirits? Do they take another form?

Pete: Yes.

Doc: So it means their spirit is immortal?

Pete: So is our spirit.

Doc: So it means our spirits are immortal, and our physical bodies depend on the level of their knowledge.

Pete: We are controlled ultimately, by them.

Doc: They told you so, or do you think so?

Pete: They told me.

(So Dr. Oberti finally got the message. It was the same message Meade Layne got the from the Guardians in the early 1950s. It was the same message dug up by Charles Fort in his indefatigable Flying Saucer researches a generation earlier: "We are property." But still there is a choice because there are both Good Guys and Bad Guys in space, and the awakened human being must decide whether he or she will serve with the Forces that serve the Light, or serve with those who oppose the Light. There is more to the hypnotic regression story of Peter and Frances. From No. 102, the Jan-Feb 1976 issue of Xenolog, \$4.50 a year.)

Doc: So it means they can travel by time and go back wherever they like, can they?

Pete: They can go back as far; or they can go forward as far.

Doc: But you cant destroy their physical bodies if you dont want, can you?

Pete: They can destroy their own physical bodies. They can destroy our physical bodies. They are just as human, just as killable as a human, as you or I.

Doc: But you say they have great powers; they can change the form of their body; and it would mean they can protect themselves very well?

Pete: They can make us. Because we are dumb animals in their eyes. They can make to us, themselves disappear or appear, in any form in our minds. They can to you, 'I look like a duck', and in our eyes



they would look like a duck -- because we would look at a dog in comparison to us, us looking at a dog saying, "stupid dog". They look at us saying "stupid humans".

#### PETER'S FIRST ENCOUNTER WITH A UFO

Doc: What was the reason they took you and Frances?

Pete: They wanted someone with a brief contact with a spacecraft in 1964.

Doc: Do you consciously know about that?

Pete: Yes.

Doc: What happened at that time?

Pete: My father and I were travelling across Rhodesia and we came around the corner on a dusty road. We were going quite fast in a Thames truck and as we came round a corner, about two feet off the ground was a spacecraft, hovering. We were closing on the craft extremely fast and as we got about 20 feet away we were still braking. The spacecraft took off about 45° and shot into the sky. Brown raw dust came flying out from under the craft, it was red hot and baked itself into the paint of the truck. It flew about 20 - 30 miles in a matter of seconds. This was my first encounter with spacecraft.

Doc: But why did they take you now? You say your car travelled at incredible speed?

Pete: That's right.

Doc: Why did they do it? Do they want you to make contact with them and tell other people?

Pete: They wanted me to make contact with them and take as much time as I wanted before I told anybody about what had happened, hoping that people I told would believe me, and listen to the story and not accept it just as another UFO story; but would analyse it completely and find out why; and why they want us to appreciate them. Their programming of the world has gone wrong. Because of man's ability to think it has become too intense, too quickly.

Doc: Do they have any contacts with Governments, Peter? Do they contact the great Powers? What would happen if the world would become involved in a world war, a nuclear war? Would they stop people killing each other and destroying our earth?

Pete: They do not want that! Because that is ultimate failure to their point of being with the world and guiding the world for the last thousands and thousands of years! The world will be a show-piece to the rest of the universe in a few hundred years time.

Doc: Are there any other beings in our solar system, Mars, Venus?

Pete: I dont know.

Doc: Did they not tell you about it?

Pete: They did not tell me about it.

Doc: Have they got any craft on the moon?

Pete: The moon is a shuttle of the earth. There is not point of going to the moon. It is dead. It was put there by forces to create for man a point from which he could travel into space.

Doc: Was your physical body taken on the spaceship?

Pete: No.

Doc: What was taken on to the spaceship?

Pete: My astral body.

Doc: And your physical body remained in the car.

Pete: Yes.

Doc: Why did you not remember afterwards what happened? Did they make you not remember?

Pete: Yes.

Doc: Why is that?

Pete: They did not want me to repeat it.

#### NO DELUSIONS OF GRANDEUR

Doc: What did they not want you to repeat?

Pete: They did not want me to rush to a newspaper or a magazine and make a fortune out of it.

Doc: But you told me they wanted other people to find out. They want you to be a contact.

Pete: They did. I didn't phone the newspaper. Frances phoned the newspaper to find out whom we could speak to. I did not want to say to Frances, to phone them up; so another person must always do it. Not the person who is directly concerned.

Doc: Why is that? Is that the law?

Pete: It is not a law; but they cant make a public image out of the same person, that is why. They always have got to have someone else to do this. So that the person does not become a Hero or self-centered on what has happened here; it could have been six or nine months or 10 years. If you go back through the history of contacts you will see in every single case a long delay, never instantaneous from the time of contact to the time of report.

Doc: Peter, tell me. There are some cases of disappearances. In the Bermuda Triangle there have been planes and ships that have vanished.

Pete: I dont know anything about that.

Doc: There was an American captain who tried to follow UFOs and

he vanished. Do you know why he vanished? What happened to him?

Pete: I dont know. I dont know what happened. What happens to anybody who is contacted by a UFO or those who have sightings or are directly touched by them.

Doc: Did they take any samples from your body?

Pete: My tears, my sinuses, brain readings, finger nails, blood samples, heart.

Doc: They took everything?

Pete: Not everything.

Dr. Carl Van Vlierden told the Dickesons on the tape that this hypnotic session ended here. There was another one later in which he had the opportunity to ask Peter a few more questions himself.

Van: Was the policeman you saw at the side of the road a real policeman or a metallic clad form?

Pete: It was an initial monitor.

Van: (To the Dickesons) It appears that this robot was the initial monitor which picked them up on the road and sent the message that they had actually arrived, because, from that moment things started to happen to them, their car lights faded, etc. Bus loads of Africans behind them on the road were scared out of their wits. The buses stopped and all the Africans took their belongings, ran into the veldt and disappeared. These Flying Saucers were too much for them to take and they were just gone.

Asked about propulsion Peter replied that they were able to use a method of translocation from point to point, or from one to another in space. Disintegration from one point and reconstruction at another point, with lapse of NO TIME. Asked if Magnetic Fields came into this, Peter replied that this was the case.

\* \* \*

Materialization and Dematerialization -- Mat and Demat -- as a form of Saucer propulsion was suggested by Associate Ed Schultz to Meade Layne our founder-director in the early 1950s. By mental power primarily, the body of the spaceship and all that is in it is caused to go up and down the Scale of Tangibility, and in this mode a change of vibration is a change of location! So Space-Time warps, as experienced by Peter and Frances, are a new, radical, cheap source of power which would relegate electricity and petroleum to second-class status in civilized countries of the earth. If you want to struggle through the understanding of this concept read Meade Layne's pioneering efforts in "The Coming of the Guardians", 90 pages, illustrated, \$3.00 (BSRF No. 3), in "The Ether Ship (Flying Saucer) Mystery and Its Solution", \$1.50 (BSRF No. 4), and "The Ether of Space", 50¢ (BSRF No. 5).

## PROJECT HERMES, A MECHANICAL AID TO TELEPATHY

Additional Information and Suggestions by  
Associate William F. Zwirn

In the book "The Mysterious Past" by Robert Charroux, Berkley Publishing Corp., 200 Madison Ave, New York, NY 10006, paperback, \$1.50, French title "Le Livre Dupasse Mysterieux", there is a short paragraph on thought waves, page 156: "The Russian scientist professor Kogan has put forward the theory that thoughts can be transmitted by using electro-magnetic fields on waves of extremely variable length, ranging between 25 and 965 kilometers. Successful experiments have been carried out between England and the University of Los Angeles involving a distance of 8,000 kilometers".

25 to 965 kilometers equals 300 to 12,000 cycles and this is our Audio spectrum! (In the beginning was the Word and the Word was with God. Speech is the Carrier and thought is the Modulator! RHC)

In the book "Extra-Sensory Perception, Witchcraft, Spiritualism and Insanity", by A.W. MacLellan, I quote in part: "In order to make it possible for an agent to influence another individual at a distance the Vital Force or Magnetic Aura must first be generated from the living brain (and second from the solar plexus, the power center)". MacLellan wrote that this magnetic radiation was obtained through the witch's familiar, her cat -- praising it, or pinching, a whack on the head, etc. Of course the successful witches were mediums, but we can learn from them. (And what we learn is that Vital Force is necessary to the success of any magickal operation, whether it is drawn from a human being or an animal. This is why the Witch deliberately irritated her cat. That force doesn't come from the mind but from the emotions. The Christian Bible says it well: "Make a joyful noise unto the Lord."-- if you would have your prayers answered. RHC)

If we study how we hear it could help. A sound is a mechanical vibration coming to our ear. The ear turns it into an electrical vibration for the brain and we "hear" it; so it shouldn't be very difficult to send a message electrically to the brain or inner hearing center, bypassing the outer ear. Call this Clairaudience. Let's see how the Hermes device creates these vibrations from the required parts.

Meissner Coils, Nos. 14-1074, 14-1072, 14-1071  
Hammerlund BFC 12 or equal Variable Condenser, 3.9 to 14.5

These can be obtained from the Thordarson Meissner, Inc., Electronic Center, Mt. Carmel, Illinois 62863 -- the coils:

Inductance

Meissner Coil No. 3, 14-1071 -- 132 to 290 MH (Microhenries)  
 No. 2, 14-1072 -- 132 to 290 MH  
 No. 1, 14-1074 -- 110 to 190 MH

Hammarlund Manufacturing Co., Inc., 20 Bridge Ave., Red Bank, New Jersey 07701, Variable Capacitor -- 3.9 to 14.5 pF ( pico farads)

Item 4 and Item 1 in the schematic, Page 24,  
 Capacitor 3.9 to 14.5 pF and Coil 110 to 190 MH

$$\text{Resonant Freq.} = \frac{1}{2\pi\sqrt{LC}} \text{ or } \frac{1}{2\left(\frac{22}{7}\right)\sqrt{.000110\text{H}\times 3.9\times 10^{12}\text{F}}}$$

The Resonant Frequency I get is 3,000,000 to 8,000,000 cycles. Square waves have already been discussed by another BSRF member and I have nothing to add thereto. So far I need to know why the coils #2 and #3. My electronics knowledge is a little rusty. Now let's go to Page 28 of "Two Inventors". It discusses the frequency of thought waves as 10 to 80 Myriacycles. A Myriacycle is 10,000 cycles so we have 100,000 to 800,000 cycles.

To summarize:

Mechanical Sound	--	300 - 12,000 cycles
Project Hermes	--	3,000,000 - 8,000,000 cycles
Nikola Tesla	--	100,000 - 800,000 cycles
BSRF A-F	--	60,000,000,000 cycles (Harmonics)

If I left anyone's frequency out, please add it so we dont miss anything. When the answer is found it probably will be a simple solution that does it. Maybe it's more "how to" rather than frequency.

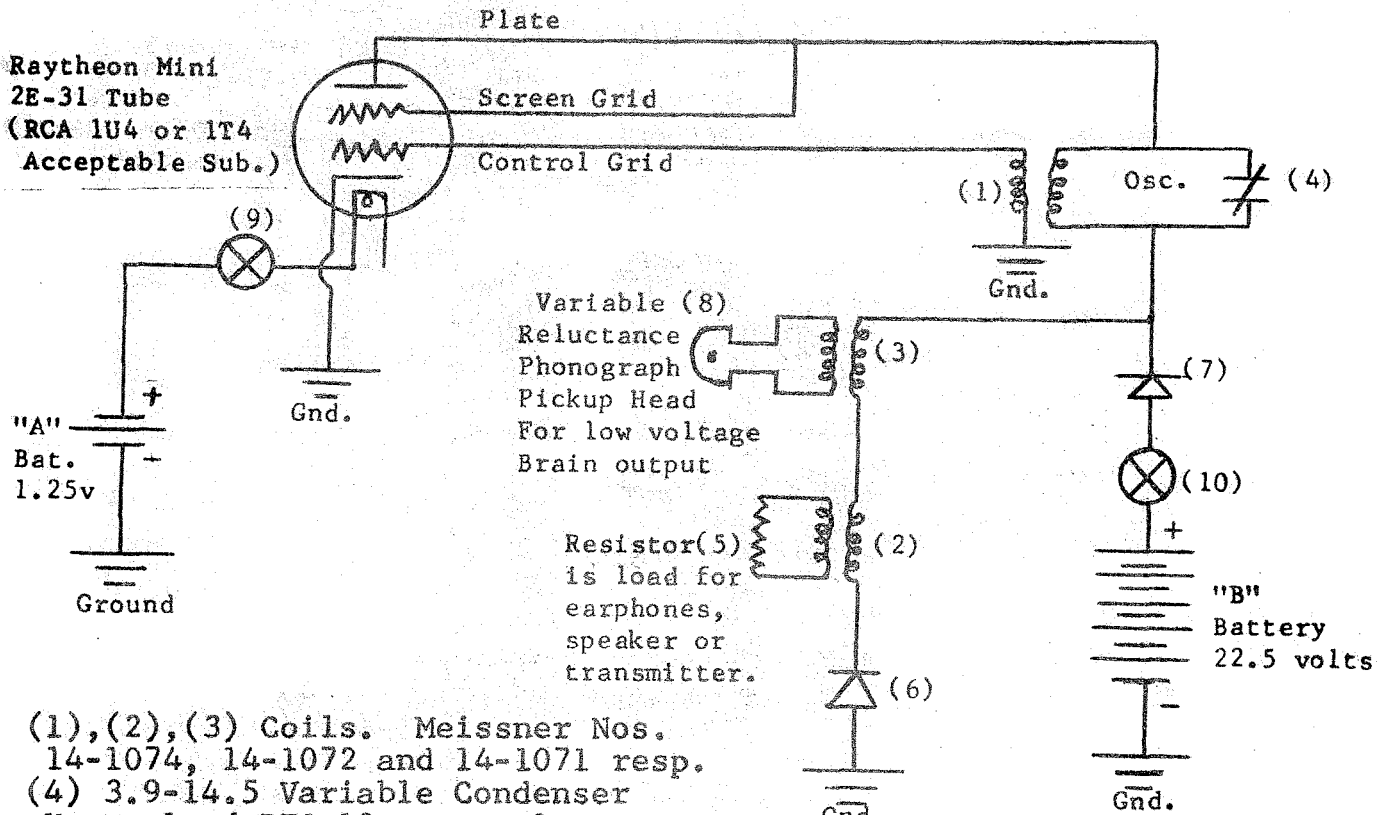
"Extra-Sensory Perception, Witchcraft, Spiritualism and Insanity" by Alastair W. MacLellan, M.A. (Edin.) was published in 1958 by the C.W. Daniel Co., Ashington, Rochford, Essex, England. It's a small book, 82 pages, and probably out of print now.

MacLellan heard voices in his head, bypassing the outer ear, and finally learned how he heard them, and was able to duplicate the action. He was an Army captain. He was thought insane but of course was only mediumistic. It is my opinion that this book could help advance Project Hermes considerably. It has the only intelligent explanation of the Witch's Familiar I have come across and it makes sense. It does not give the telepathic frequencies, but it could help once we have them, which is most important. MacLellean does give a useful discussion of frequencies.

#### REVISED SCHEMATIC OF PROJECT HERMES DEVICE

This is a suggested circuit. It needs modification probably. Nothing is changed from the original except a question about Cathode and Filament in the tube, as you can see. I present it as an educated guess or speculation. Let's see what we have: an oscillator within

PROJECT HERMES SCHEMATIC (revised)



- (1), (2), (3) Coils. Meissner Nos. 14-1074, 14-1072 and 14-1071 resp.
- (4) 3.9-14.5 Variable Condenser Hammarlund BFC 12 or equal.
- (5) Carbon resistor, 3 to 6 megohm exact value not critical.
- (6) Crystal diode, Raytheon CK-705 or Sylvania 1N34
- (7) Crystal diode, Raytheon CK-708
- (8) Cartridge unit only from variable reluctance phono pickup
- (9) Rheostat, exact value not critical
- (10) Pushbutton or momentary contact switch.

the frequency range of thought waves and audio waves, also modulation possibilities of oscillator frequencies with audio frequency, and we can transmit or receive this information. At this point it does not matter that the circuit is or is not absolutely correct. Testing, refinement and improvement will come.

REMEMBER THE TITANIC?

People on both sides of the Atlantic received psychic calls for help from the drowning passengers. How? According to the book I referred to previously there was a highly charged atmosphere at the scene of the sinking ship. Everyone there was radiating electromagnetic waves. Prayers, voices were everywhere. The electromagnetic fields of the victims radiated to the brains of the passive receivers on land, where they were modulated by voices reaching the brains. The rest is history. Those at home who were tuned in or in a properly relaxed mental frame received accurate audio and visual pictures.

Since we have a magnetic cartridge let's be practical and use it where we always use it, on a phonograph recording; and if the device is working we should hear it talk, inside our heads. Experimentation is required.

Of course, once it starts working life will be different. The moral nature of man will be improved. Evil will be revealed and discredited. Telephone and television will be outmoded. Sickness could be healed by tuning in on offending vibrations and changing them. Like radio in the beginning, many researchers are better than a few. If it works in a room it will work anywhere.

Identified Brain Waves: Alpha, 8 to 13 cycles per second, 50 Micro volts; Beta, 15 to 60 cycles, 5-10 Mv; Delta, 1 to 5 cycles, 20-200 Mv; Theta, 4 to 7 cycles; Gamma waves 14 cycles.

#### WHAT ARE THE WAVE FORMS?

An oscilloscope of wave forms is needed, especially where the diodes are concerned. Once the circuit works properly in producing the oscillator wave form, and can be modulated with the magnetic cartridge sound frequencies (voice) -- plus being able to transmit then we are on the way. The next step is to experiment with oscillator frequencies. Here the laboratory expert in brain waves can help out. Even if we don't yet hear it in our brain, is it coming through?

There's a good reference to this in a 1974 "Fate" magazine by Mary Margaret Fuller, "A Physical Explanation For ESP". The basis for her article is "Perceptual and Motor Skills", Monograph Supplement 3-V36 1973, \$1.00, Laurentian University, Sudbury, Ontario, Canada. Dr. Michael A. Persinger is one of the three authors.

These two references state that "Scientists have attempted to find some physical mechanism to explain telepathy. Most theories suggest some radio wave-like connection between a sender and a receiver. Recent work with Extremely Low Frequency (ELF) waves and pulses in the frequency band between .01 and 100 cycles a second may be involved". These are our brain waves since we have identified the ones from 1 to 15 cycles a second. Also "the VLF pulses although thousands of cycles per second can occur as so many pulses per second -- in the ELF waves. Despite their low intensities, ELF electro-magnetic waves can travel thousands of miles. . . ."

I do not understand all this yet. It appears that many different frequencies are going to be discovered, involved from simple brain to brain communication to higher manifestations such as teleportation and creating things, using mind power only. Healing will become a thought eliminating illness and it will begin with our knowledge of Project Hermes. It is important that we develop this communication device. It may also finally solve the mystery of the Flying Saucers. Incidentally, the solving of this problem will also develop the mech-

anical detector for Radionic instruments, doing away with the pendulum or the Shtick method of detection with the rubbing plate. Project Hermes is to our future as radio is to our past. In its final form it will be the ability to use the unused portions of our brain.

## THE CARRIER FREQUENCY

In Project Hermes the transmitter and the receiver are one because of the Carrier Frequency. Also, in the discussion of telepathic communication, whether by the human brain or electro-mechanical device, we must consider the Carrier Wave. And here we have met an impasse, the word barrier. We use different words to describe different things and it throws us off. Science needs to take another look at the words it uses to determine where the difference lies.

Let's take a good look at the Carrier Wave. Radio and TV use a Carrier Wave in the transmitter. The receiver uses a tuner to bring in the station; but wait, isn't the tuner also using a Carrier Wave? The transmitter has an oscillator which develops the Carrier Frequency. The receiver has an oscillator which develops the Resonant Frequency. The receiver frequency -- the resonant frequency -- is a Carrier Frequency the same as the transmitter -- otherwise you wouldn't hear or see the signal! Now we have passed the word barrier! We know that telepathy exists; therefore, we know that we humans have a telepathic carrier wave which is used for sending and receiving, and so do all other things, animate and inanimate.

But science missed something and it is holding us back from progressing in telepathic communication. We go back to basics. The tuning fork, use two. They both have a resonant frequency. Let's call it a Carrier Frequency. Let's use 14,000 cycles. Tap one on the table. Now you have it vibrating at 14,000 cycles a second. To keep up the vibrations so they do not fade away tap it again, and again, twice a minute or more. Now notice this, you used a generating frequency of two cycles a minute to develop and sustain a Carrier Frequency of 14,000 cycles. Science missed this.

Now let's go back to the oscillator of the transmitter and the receiver, what sustains their vibrations? It is the Direct Current in the circuit, with no frequency. The D.C. imparts a generating frequency to keep the Carrier going. This frequency is yet to be determined in radio and in Project Hermes. When this oscillator frequency runs low the D.C. supplies the impulse to keep it going.

Note also that one tuning fork will set the other tuning fork vibrating at the same frequency. The Carrier Frequency is the same for both. I imagine if you modulate one the modulation will carry over to the other. This could explain why -- in the body -- one sick cell will make healthy cells sick. The sick cell is a modulated cell passing along its modulation.

Let's see what we have thus far. We have a Carrier Wave for the



transmitter and for the receiver. This Carrier is initiated or started by a generating wave. The transmitter Carrier Wave is modulated by voice and/or sight and because of resonance the receiver gets this message because it responds identically. Three Frequencies.

### THE FAMILIAR CAT GENERATES WAVES

A witch uses her Familiar for the generating frequency. The Familiar, usually a cat, responds emotionally and thereby gives off the magnetic waves. This creates a cerebral disturbance in the witch and her Carrier -- depicted as a broom -- goes into vibration. It appears all she uses is will power to direct it.

Somewhere in our ancient past a world catastrophe destroyed our devices and we used natural means to communicate. But we are our own ancestors. The knowledge of all the past is in our brains. Now and then a bit is released and we are advanced. Once the telepathic device Project Hermes becomes practical our advancement will proceed at a pace that will leave science fiction trying to catch up.

Note that in telepathy you must use a generating frequency to start the Carrier frequency. Then you modulate the Carrier by voice or sight, using will power to project. What excites me is that with the solution to Project Hermes we will be able to heal almost immediately -- all our sick. Of course there is only one way to go after this, out into the universe of stars and other planets. Parapsychologists have noted that in ESP experiments the emotions produce exceptional ESP. True, the emotions supply the cerebral disturbance required, but not for long. The battery-powered Hermes device will enable us to sustain the transmission for the required period of time.

### A TELEPATHIC TELEPHONE

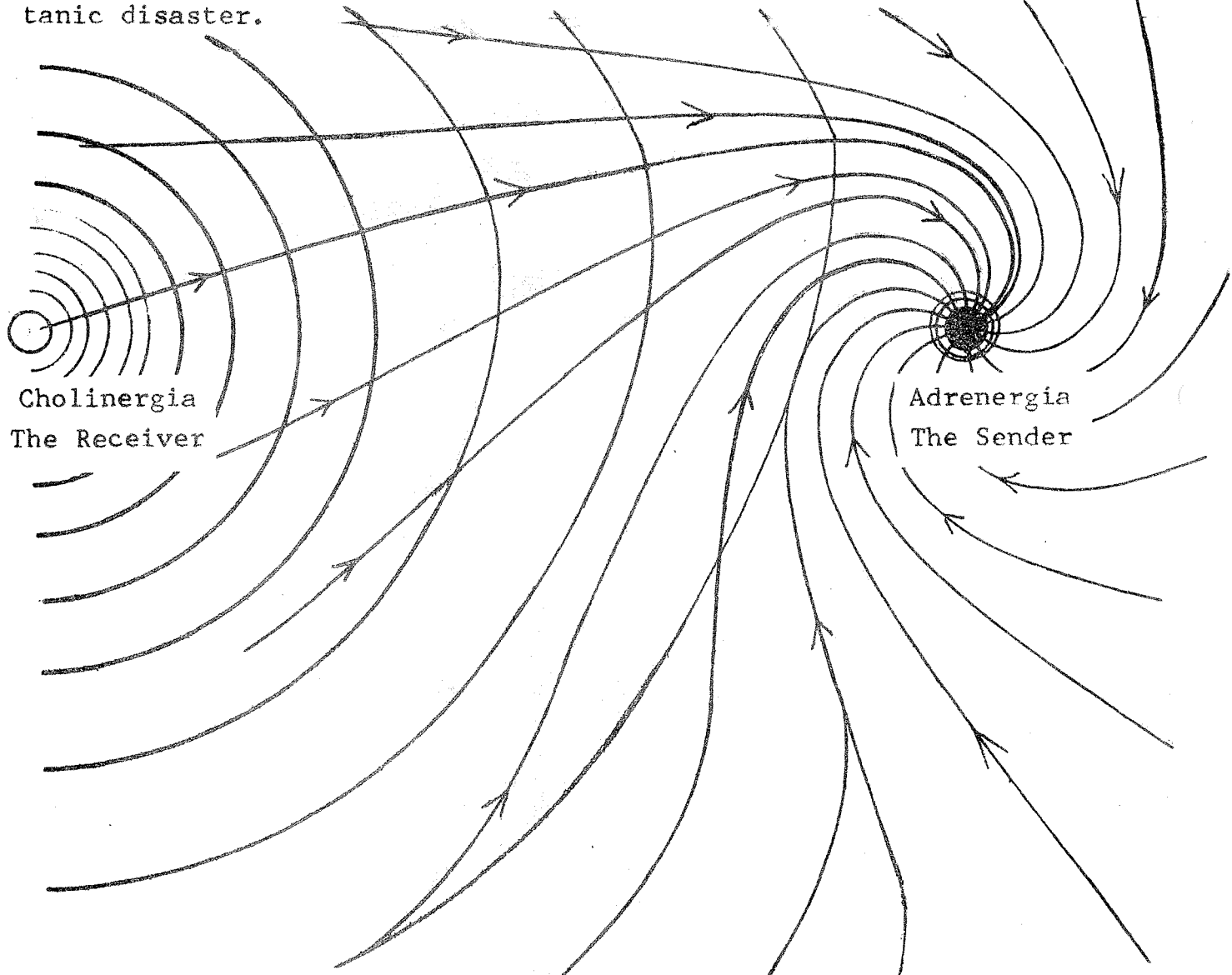
Hermes should be used as you use a telephone, with modulation of the Starter Wave initiating modulations in the Carrier Wave. The Carrier would, of course, come from your brain and resonate with the Carrier of the receiver's brain. The receiver would hear the demodulated Carrier, the voice, inside his head. In demodulating the electromagnetic radiation would appear in the receiver's brain just as it is in the sender's brain. This electromagnetic radiation would radiate outward toward the device in the receiver's hand (or attached to his head on a head band). To hear outside the head a detector unit for the starter frequency would be required -- with a Hermes unit the same as the sender's. It would be like a telephone or like a radio and TV.

In radio and TV we know what the Carrier is but we do not know the generator or starter frequency. In mind-to-mind communication we will know the starter frequency but not the Carrier. A device to measure the Carrier will have to be invented. Perhaps we should start by considering the Orgone energy of Dr. Wilhelm Reich.

## CHOLINERGIA AND ADRENERGIA

On the left, the ring of concentric circles represents the outward radiating, feminine receiving state of Cholinergia, passively awaiting mental stimulation. This might be a friend or relative of a victim of the Titanic, asleep or in meditation.

On the right, a centripetal vortex of mental energies in the Fright, Fight or Flight state of Adrenergia, actively concentrating on the one central idea of survival, drawing in and impregnating surrounding mental energies with that idea. This would be the mental and emotional state of the victims of the Titanic disaster.



Remember, though our bodies are cast in masculine or feminine form, our minds and emotions are not so fixed. At the emotional and mental levels we can shift from masculine to feminine, from active to passive, from giving to receiving, with lightning rapidity! Potentially every one of us should be good at telepathy. It is just a matter of understanding and practice.

## CHOLINERGIA AND ADRENERGIA

The concept of telepathic sending and receiving pictured on the previous page is radically different from the conventional theory developed in radio and TV broadcasting. Perhaps that conventional theory will have to be altered as scientists like Dr. Andrija Puharich discover the laws of Telepathy. In his years of research on the little-known powers of the mind Puharich discovered and proved that it is the mental field of the Receiver that is spread out over infinite space, corresponding closely to our conventional concept of a radio or TV broadcasting station sending out its signal in all directions. This is a centrifugal state.

But Puharich discovered and proved that the Sender in telepathy is in a centripetal state. His or her mental energies are turned inward in a highly concentrated state of emotional tension caused by some powerful desire or crisis. The adrenalin is flowing, thus the term Adrenergia for a definite chemical state of the blood easily identified by medical science.

Many passive minds -- within the tuning range of the Sender -- will be impressed with the powerful mental images being created by him or her during that state of crisis, and distance from the vortex where the crisis is occurring seems not to diminish the quality of the reception. The quality of the images is determined by the passivity of the Receiver -- Cholinergia as Puharich calls it, and this state can also easily be determined by medical science.

From Puharich's excellent book, "Beyond Telepathy", published by Doubleday & Company, New York, 1962, one example will suffice:

"John Hayes was a second-year student at San Jose College in California. He was engaged in a fraternity hazing party. This occurred on a Saturday. It was John's mission to take a group of freshmen up into the High Sierras where spring snow conditions still prevailed. The distance to the Sierras was about 150 miles and John left sometime after midnight on this wild journey. He was in the mountains driving fast and rather recklessly when suddenly the car lights revealed a gaping hole in the road ahead. The car plunged down a 75 foot embankment. John was terror-stricken as the car plunged off into the dark unknown. Miraculously the car landed upright and after plunging ahead about two hundred yards through the brush and undergrowth came to a safe stop. No one was injured in the accident.

"In the meantime John's mother and father were asleep in Salinas, California, about 180 miles away from the scene of the accident. John's mother awakened abruptly from a deep sleep and across her mind there flashed a vision of her son being in an automobile accident. She looked at the clock, it was exactly 5:30 a.m. She had no idea where her son was or why he should be in an auto accident at this hour. She awakened her husband, who simply grunted something about 'women and their premonitions' and went back to sleep. Mrs. Hayes, however, was so sure of her vision that she arose and placed a tele-

phone call to the college. No one at the college could tell her where her son was. As a matter of fact it was about 12 hours before her son was able to reach a phone and telephone her. One of the first things Mrs. Hayes said to her son when she heard his voice was, 'Did you have an accident? Are you well?' Her son replied that he was well but how did she know he had had an accident? Then she related to him her experience. He confirmed then and there that it was about 5:30 in the morning when the car plunged into the washout.

"The son obviously experienced a sudden adrenergia as his car plunged over the washout. His mother on the other hand was asleep and relaxed. John had no thought, as near as he can recollect, of thinking at all of his mother and family. The mother's mind on the other hand reached out and projected to the scene and it seems that she saw only the relevant portion; she knew her son was involved in an auto accident. She had no idea where it was or the fact that he was plunging down a washout. Here we have an ideal illustration of the adrenergic state of the sender and the relaxed cholinergic state of the receiver, the mother."

If you cant find a copy of Puharich's out-of-print "Beyond Telepathy", we do have a review of significant portions of it in our BSRF No. 2-I "ESP The Space Travel Problem", illus., 47 pages, \$2.00.

#### WHAT ARE THE RUSSIANS DOING?

We have this summary from Thomas E. Bearden, author of the privately printed brochure: "The One Human Problem, Its solution, and Its Relation To UFO Phenomena".

"Brain linkage is a straightforward technical problem. It is a problem of great magnitude, but it is in the reach of technology to solve it. E.g., work on biological radio communication has been underway in the Soviet Union some fifty years or more, and direct mind-to-mind linkage has probably been achieved, as reported by Kazhinsky, Lisitsyn and others. As early as 1939-1940, the Soviets were experimenting with telepathic induction through, or modulated upon, an electromagnetic signal, directly from mind to mind, or from nervous system to nervous system.

"These experiments found the concomitant interception by the nervous system of one animal of bio-radiation waves emitted by the organism of another animal or man, and the conscious or unconscious analysis and synthesis in the receiver's brain of the stimulating signals. The Russian work revealed the transfer and intercept of bio-electromagnetic and bio-radiation waves accompanying every thought process. Animal and human experiments clearly demonstrated that bio-field inception from two or more minds may be cyborged, even in the mind and body of one person or animal, just as the two hemispheres of the human cerebrum are presently cyborged in one human brain.

"The bio-field wavelengths emitted by the human nervous system were determined to be within 1.8 - 2.1 millimeters. An electromag-

netic theory of brain activity that incorporated direct unconscious brain connection was developed. The use of hysteresis concepts was invoked. Hysteresis is a lag effect, i.e., an action followed by a time delay, followed by a reaction. This is precisely the type reaction one would need for subliminal brain communication. Memory was theorized in this manner, to pursue interrogation of it directly and unconsciously.

#### WHAT A NORMAL BRAIN DOES

"After all, this is what a normal brain does when it recalls something from memory. Not only was it possible to induct images and sensations from one brain to another at a distance, but it was also possible to artificially postpone the emergence of mental images and sensations, received by the percipient, to a predetermined moment. The received information first formed subconsciously. A process of subliminal probing was worked out, and how this can be done brain-to-brain was theoretically explained.

"In sophisticated EEG signals, the purely informational part was isolated and the brain was viewed as communicating with itself holographically. 23 EEG rhythms were worked out and experimentally fitted formulas developed. Frequency ranges were tabulated, along with the complete EEG frequency scheme. The frequencies extend up to  $8.1 \times 10^{20}$  hertz, an incredibly high frequency. This wavelength is in the neighborhood of  $4 \times 10^{-13}$  meters, which is less than three orders of magnitude from the Fermi length,  $10^{-15}$  meters. Thus the brain exhibits frequencies that can slightly interact with the strange, noncausal world of quantum physics. This directly suggests the operational connection of thought and consciousness with quantum events (it suggests inception and psychokinesis). In fact, if quantum geometrodynamics and the many-worlds interpretation of quantum mechanics are correct, a direct mechanism for psychotronics is indicated.

"Eleven EEG rhythms had nonmultiple frequencies and appeared as independent oscillating processes. The biological code of the EEG signals was of prime interest, and the number of digits of the code was found not to exceed 44.

#### THE ALPHABET OF POSSIBLE SOUNDS

"In evolution, perhaps the human population had its own genetic language phonemes and each distinctly separated population developed its own language superimposed on them. If this premise is true then the often striking use of a word or its close derivative to mean the same thing in widely separated cultures has an underlying genetic explanation. The demonstrated ability of two minds to telepathically communicate, even though the two humans speak sharply different languages, could also then be explained.

"From the viewpoint of this genetic language code hypothesis,

the Soviet work on 44 EEG code digits or less is of fundamental importance. (Sanskrit has an alphabet of 44 characters. RHC) It may only require 11-23 channels and a 44-digit code to directly link human brains. And this could be determined in animal experiments in communicating through a severed corpus callosum to its connected brain half.

#### HAS THE CODE BEEN BROKEN?

"It also appears that the Soviets either have broken the 44-digit code or are very close to it. Thus one can surmise that either direct brain-to-brain linkage can already be accomplished, or that capability is immanent. It is exciting to visualize the rapid, short-term development of a brain linkage system using, say, a scanning skullcap on the head, centrally connected by a biowave-modulated, electromagnetic data link system. Sixth-stage brain-to-brain linkage may already be emerging as these words are written."

#### AN ASSOCIATE SUCCEEDED, ONE MEMORABLE NIGHT!

We gave a copy of our "Two Inventors Return, and Project Hermes" brochure BSRF No. 12, \$2.00, to a local TV repairman interested in borderland phenomena, but sceptical. He had been a Marine Corps sergeant and joined our organization when he got out of the service.

It happened to be a rainy, windy night -- fairly typical of Southern California in the winter months -- when he finished putting the Hermes device together. It was around midnight, too. He put it on his head and turned it on. He was alone in his garage at the time, the rain spattering the roof and the wind lashing the trees outside. The elements suddenly became real, vague monstrous changing shapes in the gloom around him. Strange disturbing vibes thrilled through mind and body. As scepticism turned to shock he jerked the Hermes device off his head, threw it into a corner of the garage and went into the house, apparently never to try it again.

He made no report to us on this experience and we wonder how many other Associates have had a similar experience over the years? We got it second hand from a mutual friend in whom he confided, four or five years after it actually happened. The TV repairman's marriage was also breaking up at the time. It ended in divorce. As suggested by Associate Ed John on page 30, emotionally disturbed people do not make good subjects for controlled experiments in telepathy.

Keep this in mind in setting up your own research program on this last great frontier, the reach of the mind.

# CLIPS, QUOTES & COMMENTS —

---

## A BORDERLAND RESEARCHER REPORTS

"We have been following the Phoenix Radioclast and UKACO writeups in the Journal with great interest. At last we have one each available, made from the schematics given in the BSRF Journal. I am pleased to report the Phoenix Radioclast has given good results. Using myself as a guinea pig I can definitely state I have had results which no other treatment has been able to achieve for 50 years!

"Our results with the UKACO are not as yet so good, I am sorry to say. The machine was made by a chap -- a Borderlander with excellent knowledge of and experience in the field of Radio. When we received the completed machine Les and I decided to do some tests on a small patch of Brussel Sprouts in my own garden, which were heavily infested with aphids. We used Nicotine Sulphate as the Reagent on a matt finish photo, cut to treat only the six centre plants of the row. Six plants on the ends not included in the treatment were to be used as 'check' plants for comparison of any effects obtained.

"Three of the plants not included were sprayed with a Nicotine Sulphate spray mixture and these are now free of aphids. Three on the other end were sprayed with clean water and these are relatively clean of aphids. The centre plants treated with the machine for times mentioned later on are still heavily infested -- indicating the machine is not giving the expected results.

"To find if we had not followed the complete instructions we went back to the Journals of July-August 1975, May-June 1975 and Sept-Oct 1975. Quoting from Page 15 of the July-Aug 1975 RR: 'Here generally is the way it works, you dial in and start the machine.' Why dial in? Again on Page 17, headed Treatment Range Is limited, line two says 'Try to dial in plot in mind, etc. etc.' As there are no dials in schematic or on device, why is this term used? Is the drawing incomplete? One would presume that having the Aka cord connection with the plants through the photo would be sufficient for Psychometry, etc."

R.G., Nelson, New Zealand

Author Sam Gerald's references to "dialing the machine", in his article on UKACO, means that Knuth and Upton were using radionic diagnostic equipment at the time and, presumably, after having found a rate for the pest and field in question, used the instrument as a broadcast treatment device also. It seems likely that the UKACO circuit we found in the files here and published, was developed and tested successfully in the early 1950s, largely to avoid the use of a diagnostic machine, which only some people can use, and then



only after months of regular practice.

Here's a question, Reg: Have you and/or Les been doing Psychometry from photos or other "bait"? Have you been using the Pendulum regularly as a means of piercing the Veil to obtain information not otherwise available through the normal senses? Or a Dowsing Rod? If so you already have skill in using magickal instruments -- for that is what they are. You already have psychic sensitivity and all that implies! -- elemental agents on the Etheric-Astral plane who respond to your mental call or command and carry out your will. Magick is an art which requires dedication and daily practice -- and I presume this would be true of the UKACO device as a magickal instrument.

If Knuth and Upton did manufacture and sell UKACO devices, failure to get immediate results -- as one does with ordinary electronic equipment in turning on a radio or television set -- caused them to take UKACO off the market. It's possible that these two gentlemen didn't have enough background in occult science to understand why the UKACO device worked for them but not for other people. Knuth and Upton had developed their invisible but very real elemental contacts through years of dedicated research and experimentation! The same was true of Keely, who developed and ran his etheric powered motors in the 1870s and 80s. He could not understand nor explain why the machines wouldn't run when other people turned the switch, and he wasn't there to supply the etheric bridge of ectoplasm from his own aura, and also the elemental "engineers" to direct the energy.

#### WHAT IS YOUR INTENTION?

If you do have elemental Gnomes interested in what you are doing in the way of improving the output of your garden, the choice of a commercial poison, Nicotine Sulphate, may have been unwise because its vibes were offensive to your fairy kingdom helpers. This is where a diagnostic instrument comes in. Various Reagents can be chosen and tested on the machine for suitability to the plants and their keepers, as well as lethal power to destroy the invading insects. Without a diagnostic instrument you will just have to continue experimenting with various Reagents until a suitable one for aphids, and for Brussel Sprouts, is found.

Equally important is your intention, Dr. Faust. Is your primary concern service to your fellow man? Or to make money, and acquire the power over other people that goes with it? Remember, the UKACO device is essentially a Death Ray machine. If you're a potential murderer at heart, UKACO could be a handy murder weapon during some crisis in your future when you want to get rid of somebody who has offended you. For your own sake, your Good Forces may deliberately prevent UKACO from functioning until, after months of sincere effort and practice, you prove your dedication to unselfish service. Let us say this produces a clock-wise turning vortex of etheric-astral



energies which attracts and holds the interest and attention of human and non-human entities dedicated to the service of God-the-Preserver. Is it likely that they will be interested in helping you to commit murder, even of insects?

#### RESPECT FOR THE SANCTITY OF ALL LIFE

This is why -- if you're lucky enough to find an old practitioner who has used radionics all of his professional life as a doctor -- he will tell you that it is impossible to use radionics for evil purposes. This is true for him and for the Forces of the Healing Christ who have augmented his human skills in his long career of service.

Think of your clock-wise turning vortex as a flywheel. To change its function as an instrument serving the purposes of God-the-Preserver, and make it an instrument serving God-the-Destroyer, the vortex would have to be brought to a full stop and started up in the opposite direction! As you can imagine, this would have a shocking, even lethal effect on the individual who tries to do this, especially if his whole life has been dedicated to unselfish service; for even the subordinate vortexes in the aura, the "eyes" or chakras, and the body cells take on this positive, clock-wise turning character.

Once this principle is understood it is easy to see why the daily life of the average person is so unhealthy and chaotic, bad one day and good the next. As the Christ so truly said: "No man -- or woman -- can serve two Masters." And to take it one step further in occult science: "He (or she) who is not for Me is against Me." An absolute decision must be made when you try to pierce the Veil of ignorance which hides their Divinity from most men and women. God and goddesses must accept the responsibility for the results of their actions. This is the significance of the Fall from the Garden of Eden, where we were irresponsible automatons.

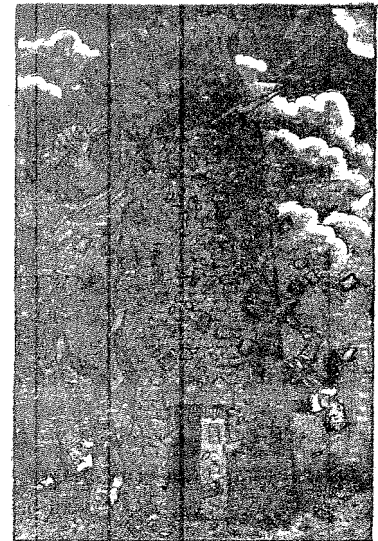
#### WHAT SAYS H.P. BLAVATSKY?

In our reference set of "The Secret Doctrine", Volume 5 of the 1938 Adyar Edition, on page 557 she writes of Conversion: "It is not true that a man powerful in evil can suddenly be converted and become as powerful for good. His vehicle is too defiled, and he can at best but neutralize the evil, balancing up the bad Karmic causes he has set in motion, at any rate for this incarnation. You cannot take a herring barrel and use it for attar of roses; the wood is too soaked through with the drippings. When evil impulses and tendencies have become impressed on the physical nature, they cannot at once be reversed. The molecules of the body have been set in a Kamic direction, and though they have sufficient intelligence to discern between things on their own plane, i.e., to avoid being harmful to themselves (and thus the evil man or woman may enjoy a long, healthy life), they cannot understand a change of direction, the impulse to which is from another plane. If they are forced too violently, disease, madness or

death will result." And oftentimes that death may take the form of a public martyrdom, if not in that life where the reversal begins, but in the next one, when the counter-clockwise turning vortex is brought to a full stop. In the great visual teaching system of our Western Mystery Tradition, the Tarot, this "conversion" is dramatically illustrated by Trump 16, "The Lightning Struck Tower". Both king and commoner are destroyed by the inevitable consequences of their actions.

#### WHAT SAYS IAMBLICHUS?

In his book or scroll on "The Egyptian Initiation", written in the 4th Century A.D. this great Hierophant of our Western Mystery Tradition said: "Remember then, son of earth, that before saying of a man that he is fortunate or unfortunate, thou must know the use to which he has put his will; for every man creates his life in the image of his works. The genius of good is at thy right hand and the genius of evil at thy left. Their voice can be heard only by the conscience. If the hierophant should appear in the prophetic signs of thy horoscope (or spread of Tarot cards) retire into the sanctuary of thy heart, listen to the Voice of the Silence, and guided by It thou wilt reach the goal of thy aspirations."



16 LE FEU DU CIEL



The Hierophant to which Iamblichus refers can be either a God or a Devil. Those who choose the Left Hand Path of God-the-Destroyer serve the Light by opposing It. Their motto is: "Evil, be Thou my good," and their symbol is the counter-clockwise turning Swastika or hooked cross, chosen by Adolf Hitler to represent the Devil behind him and his work. We were told recently of three men living in Phoenix, Arizona who are using radionics for murder. For \$5,000 they will guarantee to kill anyone, anywhere with their equipment.

#### THE MARTYRDOM OF DR. LEONARD CHAPMAN

His office nurse had cancer. Its presence in her body was well documented in local clinics and hospitals. Dr. Chapman cured her with radionics. The good woman couldn't help but boast about her good fortune and the skill of her boss. This bad news (for their lucrative practice) reached the ears of other doctors here in Vista. One actually called Dr. Chapman and said, "We'll get you for this!" The "getting" was a police state raid in the best tradition of Nazi Germany, sirens wailing, the office bust, equipment confiscated, the doctor handcuffed and hauled off to jail in San Diego in a state of shock. He chose to fight and impoverished himself in a lengthy legal

battle. This was part of the evil design, to break him and break his will. It was a lost cause. He learned later that the court and his own attorney had been bought off -- so he told me. The judge refused to allow any of his healed patients to testify in his behalf, but Dr. Chapman was encouraged to demonstrate the power of his radionics equipment in court. This suggestion came from his own attorney!

Now it becomes clear that even then, in 1960, certain government agencies were looking for a Death Ray rate for radionics equipment; for Chapman's attorney suggested that the doctor prove the power of radionics by killing angle worms with it, in a test can, in court. The test failed. Chapman told me that the whole show cost the local medical authorities over \$150,000. Do you suppose they were reimbursed by the government agency determined to suppress radionics for public use, but equally determined to develop it for its own private use? More than likely. They have good reason to fear general, nation- or world-wide development of the Aquarian Age science of Radionics. An experienced, determined operator can ferret out Top Secret information which would be disastrous to the subversive operations of said government agency. And being murderers at heart themselves, the leaders of this agency live in constant fear that Death Ray radionics equipment may be used against them!

#### AN AQUARIAN AGER IN THE PHILIPPINES

"I would like to obtain any and all relevant material on Radio-Vision Instruments and Radionics in general. I am a medical student at the University of the Philippines and am interested in broadening my studies beyond the required curriculum. Could you send me such a list?

"I have here in my possession a xeroxed copy of Dr. Ruth Drown's 'The Theory and Technique of the Drown H.V.R. and Radio-Vision Instruments', so am familiar with the basic theory and techniques involved, yet am without an Atlas and machine. Would you know anybody that would be interested in helping me out? Please also notify Dr. A.N. Onymous of my interest in his offer in the Jan-Feb 1976 Journal. I was going to contact him but the address appears to be incomplete.

"I have been learning a bit of theory on energy flows from some of the less materialistic faith healers here in the Philippines near Baguio City. The only problem is that they don't understand exactly what's going on when they heal! Some seem to be in cahoots with evil spirits. It can be felt. Others seem to be grounded in what appears to be a less dramatic but more spiritual healing, which lacks the colorful act of drawing blood, supposedly drawn during one of these psychic surgery sessions. Upon examination, the blood was definitely not of human origin. The erythrocytes, leucocytes and protein coagulating qualities were of lower evolutionary origin than that of a human being.

"I'm not saying that all of these psychic healers are phonies, I am only saying that the one I tested was. But they do possess a

remarkable skill; that in no way originates from the Christian Bible as they claim; but rather is something wonderful remaining from their own pagan culture which flourished in various parts of these more than 7,000 islands not so long ago. One of the healers is a good friend of mine and I see a great potential to study practically from him, once I have a better understanding of the spiritual knowledge. I hope you can assist me in my efforts to obtain this knowledge."

P.L.L., Baguio City, Philippines

Yes, it would be nice to have a copy of the Atlas of Drown Radio-Vision instrument rates to offer you, but right now the best we can do is our own BSRF No. 33, "Radionics, The New Age Science of Healing", \$5.50 a copy. This includes schematics of a modified Drown diagnostic circuit and a broadcast instrument, and a 30-page Atlas of rates. We don't know of anyone who is manufacturing Radionics instruments for sale except Copen and Delawarre in England; so you may have to make your own. It is encouraging that you are aware of the pagan earth forces necessary to the successful body changes accomplished by the Filipino psychic surgeons, regardless of their Christian Catholic claims. These are the devils of Christian theology but without their help nothing could be accomplished in the physical world. As Dion Fortune points out in her writings, the successful business man may be a good Christian as well, but the Christian virtues of meekness, mildness and turning-the-other-cheek are of little help in accumulating a fortune in the market place! Or of attacking the accretions of evil in the aura of a person dying of cancer!

Most of the Filipino psychic surgeons are Roman Catholics, a faith which militantly discourages the study of occult science; so all they can offer you in the way of knowledge is their Mystic path, the way of the heart, not of the mind. One episode from the experience of Dr. Nelson Decker makes our point. Ten years ago he apprenticed himself to Brother Terte at his little healing church there in Baguio City. After a month of sitting there night after night and watching thousands of operations, Decker finally asked Terte when his training would begin.

"You will be able to do the healing," Terte told him. "You will be able to do the operations. All you have to do is read the Bible every night, John 15, 16 and 17."

Before that, Decker had been reading the 119th Psalm every night as part of his "training". Terte told him if he faithfully continued this kind of Bible reading he would be able to do the operations in three to five years, IF the Holy Spirit wanted him to! Presumably this was the Mystic Path that Brother Terte had followed in acquiring his powers. It was then Decker left Baguio City, returned to Manila, and was led to Tony Agpaoa, who put him to work by his side the very next day, demonstrating 20 or 30 times a day the blood-spattering technique of the pagan magician. You can read all about this in our BSRF brochure No. 2-L, "Psychic Surgery in the Philippines and Bible

Kahuna Healers in Hawaii", illustrated, 52 pages, \$2.25. We follow the Hermetic Path, the Way of the Mind, which does offer a reasonable, intelligent explanation of the psychokinetic phenomena of the psychic surgeons. If you wish to follow this Path you can start with our BSRF book No. 24-A, "The Invisible Reality Behind Appearances" Part I, \$3.25. This contains three lessons on Occult Science, well illustrated, based on the Cabala, our Western Mystery Tradition. At the present time we have published 12 lessons in this Invisible Reality series and are presently transcribing No. 13. Hopefully it will be available later this year. After a thorough study of this material you should "know why a healing takes place; where the healing energies come from; how they are directed; and who is assisting us from the Inner Planes".

#### THE RADIO-VISION INSTRUMENT DIAGRAM

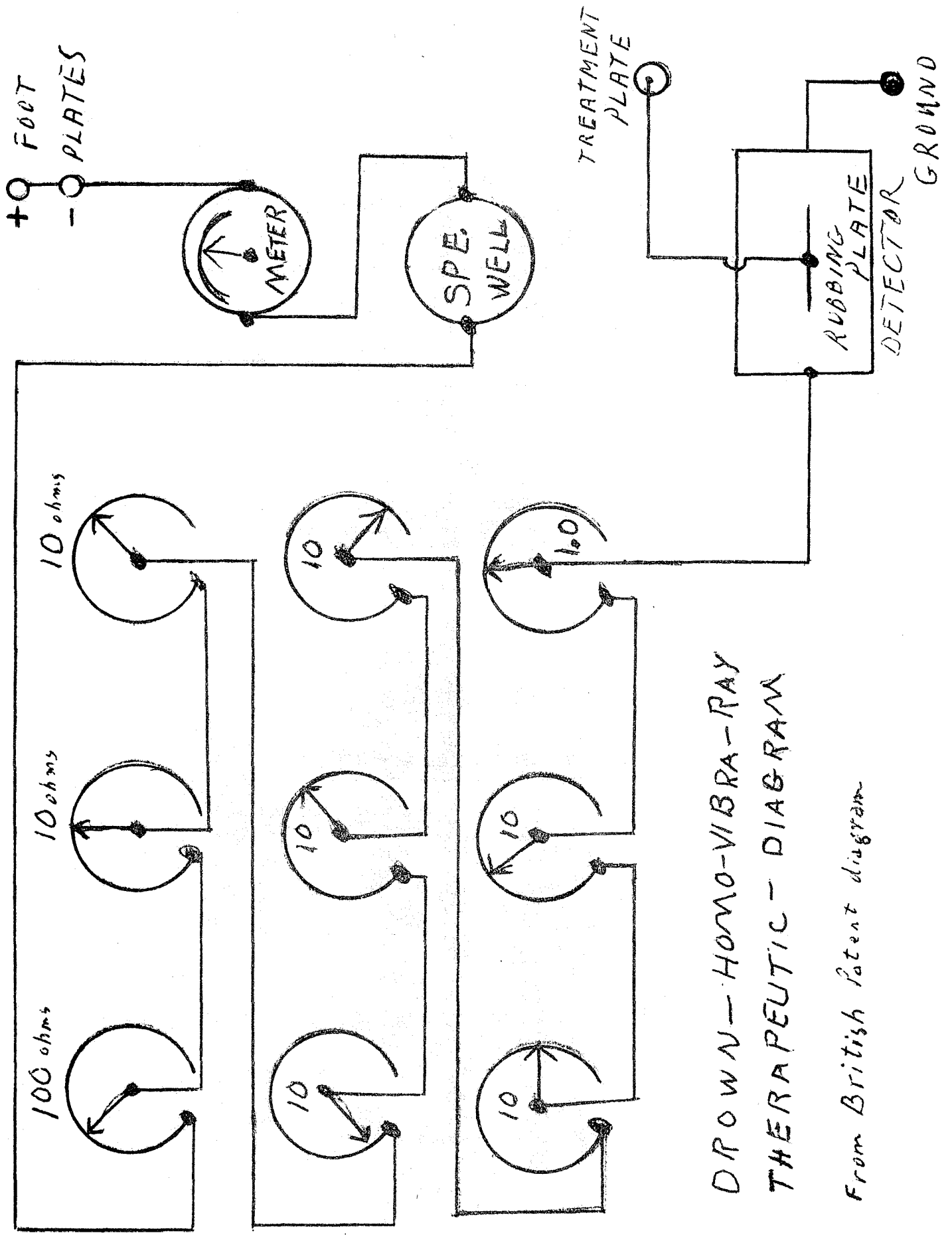
"I read in the Jan-Febr Journal that Dr. A.N. Onymous is the owner of the British patent diagram of the Drown Radio Therapeutic and Radio-Vision instrument! That is very thrilling! I did not know such ones existed. Dear Riley, you must help me to get in possession of these diagrams! I own her instrument, her books, her enlarged pictures of her books, and she was my dearest friend that I will never forget. That's why I want to correct in a way your information about her capacity of taking Radio-Vision pictures. You tell that in 1960 she informed you she could not take them any longer, and she did not know the reason.

"As a matter of fact I met her in 1962, through Trevor James, and in November that year she made Radio-Vision pictures of the Psoas Abscess in my back. In January 1963 she made excellent Radio-Vision pictures of the Hydatid Cyst Liver on a relative of mine, living here in Sweden, from a dried blood clot sent to her in Hollywood. So Dr. Drown had not by then lost her power to make them. But of course by that time I do not know if she could get as magnificent ones as earlier. But as to powers, we all know don't we, that they cannot be used to earn money, and if you do you will get rid of them gradually. There is always the question of getting your livelihood out of healing work, isn't it?

"Anyhow, I should be very obliged to you if you could send me real Xerox copies from the diagrams and send me the address of this Dr. A.N. Onymous so I could write to him myself. I correspond with Dr. Bhattacharya in India and have bought all his books. The two books of Capt. Cathie, "Harmonic 33" and "Harmonic 695" have just arrived from New Zealand. His discovery of the world-wide magnetic grid is something to ponder on. Mesmer had his time; now we have arrived much higher on the spiral, on another level of Magnetism."

Mrs. K.B., Gothenburg, Sweden

Dr. A.N. Onymous prefers to remain just that, anonymous, and answering questions about radionics only through the Journal, so all Associates can benefit from his answers on this occult science.



## THE DROWN HOMO-VIBRA-RAY

"BSRF. Sorry to report the local Xerox unit will not produce clear copy of British Patent diagram of Dr. Drown's diagnostic instrument, will wait until trip to larger city for such equipment. Have herewith made crude pencil outline of the treating instrument in toto. From ABRAMS on I have owned/used one or more of every Radionic mfged in USA, Canada, France, England, Germany, S.D., etc. etc. in over half a century active practice (retired now) but still INTERESTED in every related field of Radionics.

"By the way, if you will LOAN a copy of diagram of Lakhovsky MWO instruments for few days I think I can give you some important 'data' improvements on up to date parts, since models with Model T vib-coils are too obsolete and an RCA type 6BE6 mini-tube or some such would 'put it in orbit' etc. Have 'worked' Lakhovsky since about 1942 with infinite respect for its place and its limits in the field of therapy.

"The Vibra-Ray circuit diagram is identical to the Radio-Vision instrument which has a light-proof compartment to hold the extra high-speed Xray films, a small battery and solenoid to activate the circuit and print the 'disease-VR' as a 'picture' from the dial-settings of the patient's diagnosis. If you do not have such as this in your files, surely hope it will be both interesting and useful."

Dr. A.N. Onymous, Neargo, South Dakota

The first dial, top-left in the diagram, is probably an 11-position rotary switch, with a 10-ohm resistor at 10 positions. The Zero-position would be straight through without resistance to dial No. 2, which would also be an 11-position rotary switch, with only one-ohm resistance at each of ten positions. The same would be true of the next seven dials. Dial No. 9 is the tuning dial, of only one ohm resistance, and calibrated from 0 to 100 for fine tuning. All this is is a tunable antenna. The operator is, in effect, lengthening or shortening his antenna to get the wavelength or vibratory rate of the affected organ in the body. At the end of the tuning process, the settings of the dials gives him, or her, the number or rate of the disease. If the operator has an Atlas of rates carefully established over thousands of hours of clinical testing, he or she can put the suspected rate in the machine and find the comparative strength or weakness of the disease -- or its absence -- solely with the tuning dial, No. 9. This also can be used as a treatment rate. If the treatment is effective, successive tunings will show as lower and lower numbers on the tuning dial.

No data was given on the composition of the rubbing plate, size of the Specimen Well, range of the Meter, nor the metal used for Foot Plates and Treatment Plates. Perhaps Associates who have knowledge of the original Drown equipment can send this information along to be shared with the rest of us through the Journal.



### MORE WANTED ON POLARITY

"Enclosed please find 50¢ for your BSRF publication list. I'm very interested in literature on the order of 'The Problem of Polarity' article, pages 6-13 of the March-April 1976 Journal. Perhaps you could mark my publication list with a few you might be aware of being on similar subjects."

K.M., Ouray, Colorado

This is the first time we've written directly on this aspect of Occult Science, Ken, so the present publication list wont be of much help. Our book references are in the article. You should add those to your reference library for study. Gnostica, PO B0x 3383-GN38, St. Paul, Minnesota 55165 has published several titles on the problem of polarity, Write for their list.

### LESS WANTED ON POLARITY

"Riley, you old Bear, I really didn't think you had it in you. I feel so positively let down and saddened it will take the utmost courage to cope with the situation now. I have fully enjoyed reading the Journal of Borderland Research when it was published as such; but now, after the article on 'The Problem of Polarity and How To Solve It', you did such a bang-up job that without doubt the editors of 'National Enquirer' and 'Midnight' will undoubtedly be vying for your services. After all, Liz and Jacqueline will have to play second fiddle to the Gentle Feminist of the above mentioned article. No doubt the March-April issue will go down in history as the sexiest of any borderline magazine. You really came on Strong.

"In the second paragraph the Gentle Feminist mentions, 'There are many who do not have a partner of the opposite sex for the balanced polarity needed, are these people to be denied the right to further spiritual progress?' Well let me, if I may, inject an answer. I am over 60 years old and there is one thing for sure, I dont need or want my polarity balanced! However, at around Fifty, there were on ocasions when there was some stirring in the lower nature of the animal instincts of the beast in Man; and under the illusion of the Fallen One, I was led to believe I needed my polarity balanced -- when all along it was only my head that needed balancing. I have studied all the subjects the Gentle Feminist mentioned, and will say that I am Progressing in spiritual progress very nicely, and entirely to my own satisfaction.

"Yes, you have every opportunity to progress. Forget sex and turn your attention to the Living Yada and the Inner Circle. I will send you some information for your borderland magazine. Heaven knows I dont want to lose you to 'Midnight'. I enjoy your research too much. Have a heart. Dont succumb to a sex journalist yet. Enclosed is a new \$2 bill for a donation. I am sending you three publications packed with good information for your Journal. Leave the sex stuff to the Pros."

W.H., Logan, Utah



## "HONOR THY FATHER AND MOTHER"

Which Pros do you prefer, Walt, Moses and Jesus? You should be thankful that your father and mother took a wholesome pleasure in the joy of sex, other wise you wouldn't be around to enjoy the Journal of Borderland Research and write letters to the editor! And the Yada di Shi'ite and other members of the Inner Circle didn't hesitate to mention sex when it came up in discussion with the students and seekers who attended the Probert seances. The Inner Circle made a clear distinction between being Nice Minded or being True Minded, and chose the latter course. This has been our guiding principle in taking on the real problems of real people. We are now in the 32nd volume of the Journal; so we must be doing something right, even though we occasionally lose a Nice Minded Associate.

H.P. Blavatsky is another Pro who was aware of this same problem when she started up the Esoteric Section for advanced students of Theosophy in London in the 1880s who, like yourself, want to link up with your Higher Self or Ego. To do this you must trace "all the links of heredity; astral, psychic and spiritual, which go to make you what you are. Many have written and expressed their desire to united themselves with their Higher Ego, yet none seem to know the indissoluble link connecting their Higher Egos with the One Universal Self.

"For all purposes of Occultism, whether practical or purely metaphysical, such knowledge is absolutely requisite. It is proposed therefore, to begin the exoteric instruction by showing this connection in all directions with the world, Absolute, Archetypal, Spiritual, Manasic, Psychic, Astral and Elemental. Before, however, we can touch upon the higher worlds -- Archetypal, Spiritual and Manasic -- we must master the relations of the Seventh, the terrestrial world, the lower Prakrita, or Malkuth as in the Kabala, to the worlds or planes which immediately follow it.

"It is clear that once the human body is admitted to have direct relation with such higher worlds, the specialization of the organs and parts of the body will necessitate all parts of the human organism without exception (including the phallus and the yoni). In the eyes of truth and nature no one organ is more noble or ignoble than another. The Ancients considered as the most holy precisely those organs which we associate with feelings of shame and secrecy; for they are creative centers, corresponding to the Creative Forces of the Cosmos.

"The Esotericists are warned therefore that unless they are prepared to take everything in the spirit of truth and nature, and forget the code of false propriety bred by hypocrisy and the shameful misuse of private functions, which were once considered Divine -- they had better not study Esotericism." Or as we say, Occult Science. The above quotes are from "Secret Instructions To Probators of an Esoteric School" by Madame Helena Petrovna Blavatsky, republished by Health Research, Mokelumne Hill, California 95245, \$11.00.

## HIGHLY RECONDITE SECRETS OF THE MYSTERIES

Dion Fortune puts it even more clearly, and more bluntly, in her book "The Mystical Qabalah", in the chapter on Binah, the great Sky Mother: "The new psychology, and its allied art of psychiatry, has abundantly proved the soundness of the basis on which the ancients built when they made adoration of the creative principle and of fertility an important part of their religious life.

"It is a matter of well-established experience that the person who dissociates his or her sexual feelings from consciousness can never get to grips with life on any level. This fact is the basis of modern psychotherapy. In occult work the inhibited, repressed person tends to unbalanced forms of psychism and mediumship, and is totally useless for magical work in which power has to be directed and handled by the will.

"This does not mean that either total expression or total repression is necessary for magical working, but does most emphatically mean that the person who is cut off from his instincts, which are his roots in Mother Earth, and in whose consciousness in consequence there is a gap, cannot be an open channel through which power can be brought down the planes into manifestation on the physical level.

"I shall no doubt be abused and misrepresented for my frankness in these matters; but if no one will come forward and bear the odium of speaking the truth, how is the wayfaring man to find his way in the Mysteries? . . . Do not let it be thought that I am inviting anyone to participate with me in phallic orgies, as it will probably be said that I am doing. I am merely pointing out that the person who cannot see the significance of phallic worship from the psychological point of view has not got enough brains to be of very much use in the Mysteries!"

### NOW SHE KNOWS THE MEANING OF THE WORD!

Yes, I remember her well, Martha Mitchell, outspoken wife of Nixon's Attorney General in the late 1960s. The war in Vietnam was raging on and on. Hundreds of Protestant clergymen and thousands of people, young and old, were protesting the military mania. John Mitchell was using the power of his office to oppress the dissenters in any way possible, legal and illegal; and liberal Justice William O. Douglas was using the power of his office to get or keep leading protesters out of jail. Martha Mitchell's reaction to the Justice's efforts was to scream, "Crucify him! Crucify him!"

Now her estranged husband is a convicted criminal, facing jail, and according to "Newsweek", May 24, 1976, "Martha has asked a New York court to order him to renew the payment of her \$1,000-a-week alimony that she says has been in arrears since last September. Mrs. Mitchell, under treatment for multiple myeloma, a form of blood cancer (which attacks the bones) says her debts are enormous, including \$9,225 on the Manhattan apartment she owns jointly with her husband."

Compassion for Martha Mitchell? Yes. Sympathy? No, no more than she had for the million Vietnamese slaughtered by our weapons. Remember the sage advice of Iamblichus, back on page 24 of this issue, "Before saying of a man (or woman) that he is fortunate or unfortunate, thou must know the use to which he has put his will!"

#### PROPHECY CORNER

Dixie Lee Yeterian, the California prophet who correctly predicted President Nixon's resignation, to the day, Aug. 9, 1974, is now quoted in the "National Enquirer" as predicting that "President Ford will be wounded by a would-be assassin's bullet in Washington during August. He will not be able to continue in office and Vice-President Nelson Rockefeller will serve out his term." If this occurs after the Republican convention, and Ford is that party's nominee, will the Republicans have to re-run their primaries before the general election in November? It isn't likely that the Reagan-Goldwater wing of the Party will accept Rocky as their standard bearer in the campaign! Of course if he declares martial law. . . !

Ms. Yeterian also predicts that the new Alaska oil pipeline will "be severely damaged by either sabotage or earthquake around July or August" this year.

This could be one specific example of the more general earthquakes prognosticated for later this year by Dr. William L. Sanders in issue No. 38 of "Gnostica" magazine. He sees "earthquakes along both coasts. People will flee inland. There will be a drought and food will be scarce. He sees great calamity or tragedy happening in New York City, Detroit and Los Angeles.

"Dr. Sanders sees in 1976 the beginning of a new type of politics and a new kind of government for our nation. He sees a dangerous and difficult time for President Ford in 1976, also for Secretary of State Henry Kissinger. Dark clouds hover over both of them. . . he sees no place for Senator Kennedy. If he were to run for president, he too would be assassinated. No Kennedy will ever be president of the United States again.

"In the near future we will learn that Howard Hughes has been dead for several years. The discovery will be released during the presidential election. We will learn that many of our high government officials have been involved in secret conspiracies against their colleagues as well as foreign countries. This information will be disclosed during the presidential election campaigns. This information will cause a high official in Washington to commit suicide."

Well, we all remember the warning from knowledgeable people in Washington that Watergate was only the tip of the iceberg of corruption in our nation's government. Now we have the continuing probes into the criminal activities of the FBI and the CIA, which

have been so revealing of lawlessness on the part of the American "Gestapo" that the present director, Clarence Kelley, has issued a public apology to the people for the abuse of power by America's great Master of Deceit, J. Edgar Hoover. (LA "Times", May 9, 1976).

#### WITH EXTREME PREJUDICE

Hoover ordered his staff to make plans for "neutralizing" the black, non-violent activist, Dr. Martin Luther King, Jr. We all know in our hearts what the results of that neutralizing were in the spring of 1968. Hoover is dead but the men who carried out his lawless policies are not. If the facts of the plot to assassinate King are brought out this year, there could well be some suicides in Washington -- or perhaps murders of certain ex FBI officials made to look like suicides because they know too much! -- and threaten to talk rather than go to jail.

We see this as the occult influence of the planet Pluto, irresistibly boiling scandal after scandal to the surface, not only in the United States but in other nations as well, a necessary cleansing in preparation for the New Age.

#### WHAT SAYS PLUTO IN LIBRA?

Back in 1971 Manly Hall reviewed "Pluto In Libra, An Interpretation" at the lecture hall of his Philosophical Research Society, 3910 Los Feliz Blvd., Los Angeles, California 90027: "Because Pluto is the initiator -- the high priest standing where visible and invisible meet -- his transit through Libra could result in a dramatic expansion of personal and collective insight. A revelation of knowledge long held in secret would be most appropriate at this time, when most of our institutions must be ensouled with better motives if they are to fulfill their responsibilities. . . ."

"The principal danger of the sign of Libra is its dictatorial tendencies. There is no doubt that Napoleon (ruled by Libra) regarded himself as a benefactor, leading France from the terrible days of the Revolution to the glories of the First Empire. But the wilfulness of Napoleon and the ruthless way in which he achieved his ends resulted in tragedy for all concerned. There is always the possibility that in a cycle governed by Libra leaders will arise who believe that might is right and that only by a dictatorial policy can human beings be protected against their own weaknesses. . . ."

Was Manly Hall aware, in 1971, of Nixon's plans for dismantling democracy and establishing a right-wing dictatorship here in the United States? I think so, for he predicted a government crisis in 1972, when the Watergate breakin occurred and was exposed. With Nixon's handpicked successor in office, Fascism is still very much a threat to representative government here in the United States. Mrs. Crabb and I hope this isn't the "new kind of government" Dr. Sanders sees in vision for this country this year, or that Manly Hall

foresaw as a possibility back in 1971. Mrs. Crabb experienced Martial Law at first hand in Hawaii during World War II. She saw the arbitrary and capricious rulings one gets from a military government where civil law has been indefinitely suspended. We have much more horrible examples today in Chile and Peru. In the latter country 2,000 labor leaders have been imprisoned without trial since the Army officers have taken over a couple of months ago.

#### BUT THE ZODIACAL SIGN LIBRA GIVES HOPE

"Cardinal signs such as Libra demand immediate action," said Manly Hall, "and events related to such signs strike hard and suddenly. The trend is therefore to become more immediately involved in reforms and reconstructive procedures. Citizens are becoming more civic-minded, and the organization of the public against exploitation is likely, resulting in greater control over corruption by government and its agencies. Encouraged by increasing public support, leaders will be inspired to attack problems with more optimism. . . We will probably experience basic changes in national and international law, with less emphasis upon violence and subversion. . ."

"It is unwise to attempt to describe in detail the approaching changes. Each new step shifts the entire direction and brings in factors not comprehensible at the present time (1971). To understand these things we should follow the classical pattern of prophecy as we find it in the Book of Isaiah or the Revelation of St. John. . . The Third Phase of Pluto's transit, which should dominate the late 1970s may include a complete reorganization of community existence. Much that has been constructed in recent years will become completely obsolete. . ."

Will we make these changes voluntarily? Will they be forced on us by natural catastrophes? Or a combination of both? -- Or an additional factor "not comprehensible at the present time", May 1976?

In "Gnostica", issue No. 38, Dr. Sanders predicts what that additional factor will be this year: "He sees the arrival of flying objects from outer space. Earth people will be contacted by their passengers and it will be proven that earth is not the only inhabited planet. It will be proven that these people are more advanced scientifically and more intelligent than we are. Our government already knows about these people. The government will release the information in late 1976."

Official recognition of, and acceptance of, an outside Power greater than that of any single nation on earth will force "the beginnings of a new type of politics and a new kind of government for out nation" as predicted by Dr. Sanders. Religions will be forced to expand their dogmas to accept the idea that other planets have their Christs, their Buddhas, their Mohammeds, their Krishnas. The United Nations will take on added importance and prestige as the only international body set up to represent the earth in dealing with the

governments of other planets, welcoming their ambassadors for instance, a surprising new duty for Kurt Waldheim, Secretary-General of the United Nations.

### A NEW FUTURE IN THIS BICENTENNIAL YEAR

Television, as the greatest teaching and communications medium on earth, has done a splendid job of preparing us for this world-wide change in consciousness, official and public recognition of the presence of explorers and visitors from other planets and solar systems. Every day millions of viewers are watching the re-runs of the "Star Trek" series, as Mrs. Crabb and I do here in Vista, six days a week, Channel 8, San Diego. At this time "Star Trek" is running on 142 TV stations in the United States, and on TV stations in 47 nations overseas! Over and over and over again these Space dramas hammer home in people's minds the idea that planet Earth has already been a member of the United Federation of Planets for over 200 years, and that Federation dreadnoughts -- such as the Star Ship "Enterprise" are manned -- and womaned -- with crews of human beings from Earth. The time-frame setting for "Star Trek" is the 22nd Century.

What a glorious idea to bring to fruition in this Bicentennial Year of 1976, the 200th anniversary of the founding of the United States of America. Now we look forward to a quantum leap in understanding, Earth's membership in the United Federation of Planets.

\* \* \*

BSRF No. 3 - THE COMING OF THE GUARDIANS - Compiled by Meade Layne in the early 1950s to summarize eight years of Flying Saucer research. Contains the 4-D explanation of the origin of UFOs, biographical notes on members of the Inner Circle who gave us accurate information on the UFOs through Mark Probert, telegnostic, with their comments on Flying Saucers and their occupants, information about the Guardians of our planet from Associate Rolf Telano, and Chart of the Etheric Zones surrounding the earth. 90 pp, illustrated, mimeo book. . \$3.00

- - - - - CALIFORNIANS ADD 6% SALES TAX - - - - -

# The JOURNAL of Borderland Research

Bulk Rate U.S. POSTAGE PAID Vista, Calif. Permit No. 42
---

A Publication of:

Borderland Sciences  
Research Foundation

PO Box 548, Vista,  
California USA  
92083